

Tests [Edit Test](#)[Tests](#) [Groups](#) [Links](#) **Primary 4 Maths (Term 2) - Ai Tong** [Duplicate](#)[Print](#)[Delete](#)[Assign Test](#)**Test Introduction**[+ Add Introduction](#)**45 Questions** (98 Points)**Question Bank:** 19,950 Questions 

Test Questions

1 Test Assignment

**Question 1**

Primary 4 Maths » Primary 4 Math (Term 2)

2 pts

**MCQ**

Each question carries 2 marks. Make your choice (A, B, C or D) and choose your correct answer.

Which of the following numbers has the digit 5 in the hundreds place?

- A) 1569
- B) 4657
- C) 15298
- D) 56489

**Question Type:** Multiple Choice  
**Randomize Answers:** No  
**Date Added:** Wed 7th Oct 2020  
**Last Modified:** N/A  
**QID#:** 24,120,666

[Answers](#) | [Edit](#) | [Duplicate](#) | [Used In](#) | [Reorder](#)[Remove From Test](#)**Question 2**

Primary 4 Maths » Primary 4 Math (Term 2)

2 pts

What is 45 687 rounded to the nearest hundred?

- A) 45 600
- B) 45 690
- C) 45 700
- D) 46 000

**Question Type:** Multiple Choice  
**Randomize Answers:** No  
**Date Added:** Wed 7th Oct 2020  
**Last Modified:** N/A  
**QID#:** 24,120,674

[Answers](#) | [Edit](#) | [Duplicate](#) | [Used In](#) | [Reorder](#)

[Remove From Test](#)

### Question 3

Primary 4 Maths » Primary 4 Math (Term 2)

2 pts

What is the quotient when 6468 is divided by 6?

- A) 118
- B) 178
- C) 1011
- ✓ D) 1078

**Question Type:** Multiple Choice  
**Randomize Answers:** No  
**Date Added:** Wed 7th Oct 2020  
**Last Modified:** N/A  
**QID#:** 24,120,679

[Answers](#) | [Edit](#) | [Duplicate](#) | [Used In](#) | [Reorder](#)

[Remove From Test](#)

### Question 4

Primary 4 Maths » Primary 4 Math (Term 2)

2 pts

Find the product of 1059 and 5.

- A) 5055
- ✓ B) 5295
- C) 5455
- D) 5745

**Question Type:** Multiple Choice  
**Randomize Answers:** No  
**Date Added:** Wed 7th Oct 2020  
**Last Modified:** N/A  
**QID#:** 24,120,689

[Answers](#) | [Edit](#) | [Duplicate](#) | [Used In](#) | [Reorder](#)

[Remove From Test](#)

### Question 5

Primary 4 Maths » Primary 4 Math (Term 2)

2 pts

Find the sum of  $\frac{7}{10}$  and  $\frac{2}{5}$ .

- A)  $1 \frac{4}{5}$
- ✓ B)  $1 \frac{1}{10}$
- C)  $\frac{9}{10}$
- D)  $\frac{1}{2}$

**Question Type:** Multiple Choice  
**Randomize Answers:** No  
**Date Added:** Wed 7th Oct 2020  
**Last Modified:** N/A  
**QID#:** 24,120,694

[Answers](#) | [Edit](#) | [Duplicate](#) | [Used In](#) | [Reorder](#)

[Remove From Test](#)

## Question 6

Primary 4 Maths » Primary 4 Math (Term 2)

2 pts

What is the missing number in the box?

$$5\frac{5}{9} = \frac{\boxed{?}}{9}$$

- A) 25
- B) 34
- C) 45
- ✓ D) 50

**Question Type:** Multiple Choice  
**Randomize Answers:** No  
**Date Added:** Wed 7th Oct 2020  
**Last Modified:** N/A  
**QID#:** 24,120,757

[Answers](#) | [Edit](#) | [Duplicate](#) | [Used In](#) | [Reorder](#)

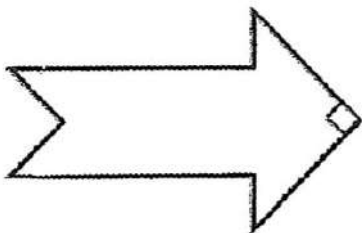
[Remove From Test](#)

## Question 7

Primary 4 Maths » Primary 4 Math (Term 2)

2 pts

How many angles inside the figure are smaller than  $90^\circ$ ?



- A) 8
- B) 6
- C) 3
- ✓ D) 4

**Question Type:** Multiple Choice  
**Randomize Answers:** No  
**Date Added:** Wed 7th Oct 2020  
**Last Modified:** N/A  
**QID#:** 24,120,767

[Answers](#) | [Edit](#) | [Duplicate](#) | [Used In](#) | [Reorder](#)

[Remove From Test](#)

## Question 8

Primary 4 Maths » Primary 4 Math (Term 2)

2 pts

Sherry was facing North and she made a  $135^\circ$  turn clockwise.  
Which direction is she facing now?

- A) North-East
- B) North-West
- ✓ C) South-East
- D) South-West

**Question Type:** Multiple Choice  
**Randomize Answers:** No  
**Date Added:** Wed 7th Oct 2020  
**Last Modified:** N/A  
**QID#:** 24,120,782

[Answers](#) | [Edit](#) | [Duplicate](#) | [Used In](#) | [Reorder](#)

[Remove From Test](#)

## Question 9

Primary 4 Maths » Primary 4 Math (Term 2)

2 pts

Complete the number pattern.

4135 , 3625 , \_\_\_\_\_ , 2605 , 2095 , 1585

- ✓ A) 3115
- B) 3125
- C) 3215
- D) 3225

**Question Type:** Multiple Choice  
**Randomize Answers:** No  
**Date Added:** Wed 7th Oct 2020  
**Last Modified:** N/A  
**QID#:** 24,120,794

[Answers](#) | [Edit](#) | [Duplicate](#) | [Used In](#) | [Reorder](#)

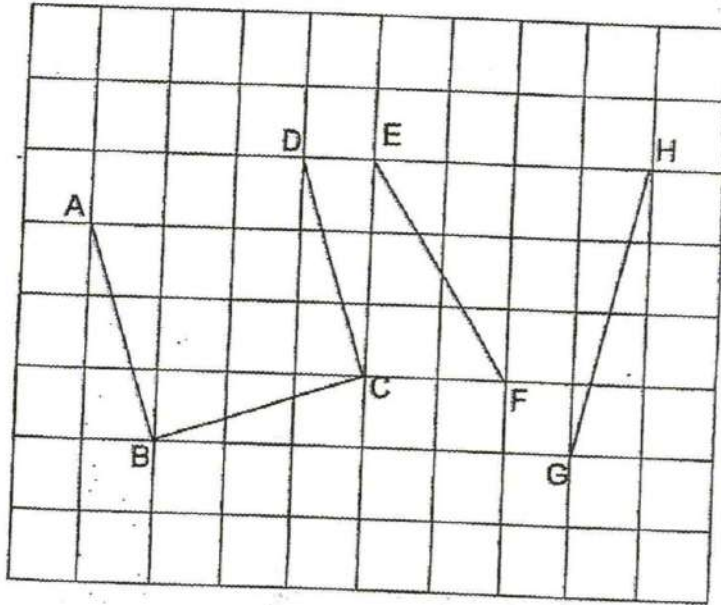
[Remove From Test](#)

## Question 10

Primary 4 Maths » Primary 4 Math (Term 2)

2 pts

In the figure below, which line is parallel to the line AB?



- A) BC
- ✓ B) CD
- C) EF
- D) GH

**Question Type:** Multiple Choice  
**Randomize Answers:** No  
**Date Added:** Wed 7th Oct 2020  
**Last Modified:** N/A  
**QID#:** 24,120,859

[Answers](#) | [Edit](#) | [Duplicate](#) | [Used In](#) | [Reorder](#)

[Remove From Test](#)

## Question 11

Primary 4 Maths » Primary 4 Math (Term 2)

2 pts

The perimeter of a square field is 36 m. What is the area of the field?

- A) 6 m<sup>2</sup>
- B) 9 m<sup>2</sup>
- C) 24 m<sup>2</sup>
- ✓ D) 81 m<sup>2</sup>

**Question Type:** Multiple Choice  
**Randomize Answers:** No  
**Date Added:** Wed 7th Oct 2020  
**Last Modified:** N/A  
**QID#:** 24,120,869

[Answers](#) | [Edit](#) | [Duplicate](#) | [Used In](#) | [Reorder](#)

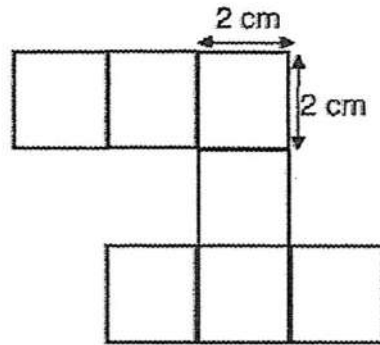
[Remove From Test](#)

## Question 12

Primary 4 Maths » Primary 4 Math (Term 2)

2 pts

The figure below is formed by seven 2-cm squares.  
What is the perimeter of the figure?



- A) 56 cm  
B) 44 cm  
✓ C) 32 cm  
D) 28 cm

**Question Type:** Multiple Choice  
**Randomize Answers:** No  
**Date Added:** Wed 7th Oct 2020  
**Last Modified:** N/A  
**QID#:** 24,120,881

[Answers](#) | [Edit](#) | [Duplicate](#) | [Used In](#) | [Reorder](#)

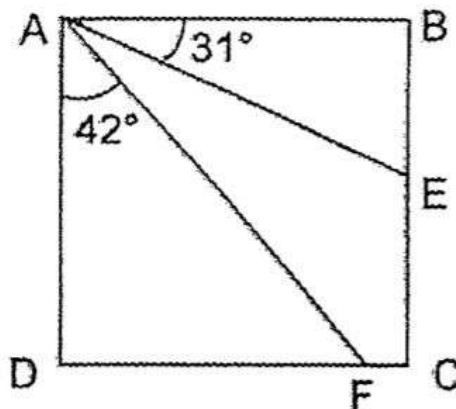
[Remove From Test](#)

## Question 13

Primary 4 Maths » Primary 4 Math (Term 2)

2 pts

ABCD is a square. Find  $\angle FAE$ .



A)

11°

- ✓ B) 17°
- C) 30°
- D) 48°

**Question Type:** Multiple Choice  
**Randomize Answers:** No  
**Date Added:** Wed 7th Oct 2020  
**Last Modified:** N/A  
**QID#:** 24,120,890

[Answers](#) | [Edit](#) | [Duplicate](#) | [Used In](#) | [Reorder](#)

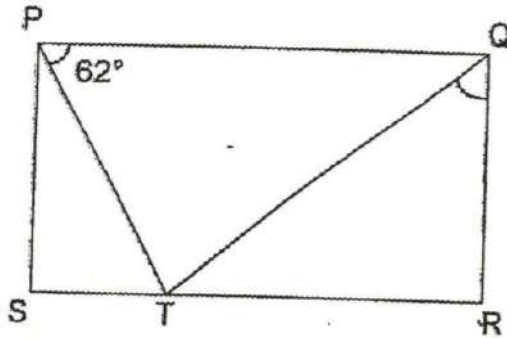
[Remove From Test](#)

## Question 14

Primary 4 Maths » Primary 4 Math (Term 2)

2 pts

PQRS is a rectangle.  $\angle TQR$  is twice the size of  $\angle SPT$ .  
 Find  $\angle TQR$ .



- A) 28°
- B) 31°
- ✓ C) 56°
- D) 62°

**Question Type:** Multiple Choice  
**Randomize Answers:** No  
**Date Added:** Wed 7th Oct 2020  
**Last Modified:** N/A  
**QID#:** 24,120,908

[Answers](#) | [Edit](#) | [Duplicate](#) | [Used In](#) | [Reorder](#)

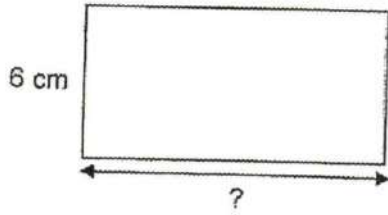
[Remove From Test](#)

## Question 15

Primary 4 Maths » Primary 4 Math (Term 2)

2 pts

The area of the rectangle shown below is  $108 \text{ cm}^2$ . Its breadth is 6 cm. What is the length of the rectangle?



- ✓ A) 18 cm
- B) 27 cm
- C) 36 cm
- D) 48 cm

**Question Type:** Multiple Choice  
**Randomize Answers:** No  
**Date Added:** Wed 7th Oct 2020  
**Last Modified:** N/A  
**QID#:** 24,120,920

[Answers](#) | [Edit](#) | [Duplicate](#) | [Used In](#) | [Reorder](#)

[Remove From Test](#)

## Question 16

Primary 4 Maths » Primary 4 Math (Term 2)

2 pts

### Open-Ended Questions

Each question carries 2 marks. Write your answers in the space provided. For questions which require units, give your answers in the units stated.

Write forty-eight thousand and six in numerals.

#### Accepted answers:

- ✓ 48006
- ✓ 48 006
- ✓ 48,006
- ✓ 48 ,006
- ✓ 48, 006
- ✓ 48 , 006

**Question Type:** Free Text  
**Date Added:** Wed 7th Oct 2020  
**Last Modified:** N/A  
**QID#:** 24,120,939

[Answers](#) | [Edit](#) | [Duplicate](#) | [Used In](#) | [Reorder](#)

[Remove From Test](#)

## Question 17

Primary 4 Maths » Primary 4 Math (Term 2)

2 pts



Arrange the following numbers in decreasing order.

36 527 , 35 627 , 36 557 , 26 957

Ans: \_\_\_\_\_  
(greatest)

**Accepted answers:**

- ✓ 36 557, 36 527, 35 627, 26 957
- ✓ 36 557,36 527,35 627,26 957
- ✓ 36 557 , 36 527 , 35 627 , 26 957
- ✓ 36 557 ,36 527 ,35 627 ,26 957
- ✓ 36557,36527,35627,26957
- ✓ 36557, 36527, 35627, 26957
- ✓ 36557 ,36527 ,35627 ,26957
- ✓ 36557 , 36527 , 35627 , 26957
- ✓ 36,557,36,527,35,627,26,957
- ✓ 36,557, 36,527, 35,627, 26,957
- ✓ 36,557 ,36,527 ,35,627 ,26,957
- ✓ 36,557 , 36,527 , 35,627 , 26,957
- ✓ 36, 557,36, 527,35, 627,26, 957
- ✓ 36, 557, 36, 527, 35, 627, 26, 957
- ✓ 36, 557 , 36, 527 , 35, 627 , 26, 957
- ✓ 36, 557 ,36, 527 ,35, 627 ,26, 957
- ✓ 36 557 36 527 35 627 26 957
- ✓ 36557 36527 35627 26957
- ✓ 36,557 36,527 35,627 26,957
- ✓ 36, 557 36, 527 35, 627 26, 957

**Question Type:** Free Text  
**Date Added:** Wed 7th Oct 2020  
**Last Modified:** N/A  
**QID#:** 24,121,029

[↗ Answers](#) | [✎ Edit](#) | [📄 Duplicate](#) | [📌 Used In](#) | [⬇ Reorder](#)

[Remove From Test](#)

## Question 18

Primary 4 Maths » Primary 4 Math (Term 2)

2 pts

What is the first common multiple of 4 and 6?

**Accepted answers:**

- ✓ 12

**Question Type:** Free Text  
**Date Added:** Wed 7th Oct 2020  
**Last Modified:** N/A  
**QID#:** 24,121,091

[Answers](#) | [Edit](#) | [Duplicate](#) | [Used In](#) | [Reorder](#)

[Remove From Test](#)

## Question 19

Primary 4 Maths » Primary 4 Math (Term 2)

2 pts

List all the common factors of 18 and 27.

### Accepted answers:

- ✓ 1 3 9
- ✓ 1,3,9
- ✓ 3 1 9
- ✓ 9 1 3
- ✓ 1 9 3
- ✓ 3 9 1
- ✓ 9 3 1
- ✓ 1,9,3
- ✓ 1, 3, 9
- ✓ 1, 9, 3
- ✓ 1, 3, 9
- ✓ 1, 9, 3
- ✓ 3,1,9
- ✓ 3,9,1
- ✓ 3, 9, 1
- ✓ 3, 1, 9
- ✓ 3, 1, 9
- ✓ 3, 9, 1
- ✓ 9,3,1
- ✓ 9,1,3

**Question Type:** Free Text  
**Date Added:** Wed 7th Oct 2020  
**Last Modified:** N/A  
**QID#:** 24,121,184

### Correctly answered feedback

9, 3, 1  
9, 1, 3  
9, 1, 3  
9, 3, 1

**Incorrectly answered feedback**

9, 3, 1  
 9, 1, 3  
 9, 1, 3  
 9, 3, 1

[Answers](#) | [Edit](#) | [Duplicate](#) | [Used In](#) | [Reorder](#)

[Remove From Test](#)

**Question 20**

Primary 4 Maths » Primary 4 Math (Term 2)

2 pts

Find the value of  $633 \times 24$ .

**Accepted answers:**

- ✓ 15 192
- ✓ 15192
- ✓ 15,192
- ✓ 15, 192
- ✓ 15 , 192
- ✓ 15 , 192

**Question Type:** Free Text  
**Date Added:** Wed 7th Oct 2020  
**Last Modified:** N/A  
**QID#:** 24,121,189

[Answers](#) | [Edit](#) | [Duplicate](#) | [Used In](#) | [Reorder](#)

[Remove From Test](#)

**Question 21**

Primary 4 Maths » Primary 4 Math (Term 2)

2 pts

Mr Quek left his house at 7.30 a.m. and took 45 minutes to reach his office.  
 What time did he reach his office?

Answer: \_\_\_\_\_ a.m.

**Accepted answers:**

- ✓ 8.15 am
- ✓ 8.15
- ✓ 8:15
- ✓ 8.15 a.m.
- ✓ 8:15 a.m.
- ✓ 8.15am
- ✓ 8.15a.m.
- ✓ 8.15a.m
- ✓ 8.15 a.m
- ✓ 8:15a.m
- ✓ 8:15a.m.
- ✓ 8:15AM

✓ 8:15 AM

---

**Question Type:** Free Text  
**Date Added:** Wed 7th Oct 2020  
**Last Modified:** N/A  
**QID#:** 24,121,244

---

[Answers](#) | [Edit](#) | [Duplicate](#) | [Used In](#) | [Reorder](#)

[Remove From Test](#)

## Question 22

Primary 4 Maths » Primary 4 Math (Term 2)

2 pts

Asher spent \$0.60 during recess and had \$1.70 left.  
How much money did he have at first?

Answer: \$\_\_\_\_\_

**Accepted answers:**

- ✓ 2.30
- ✓ \$2.30
- ✓ \$ 2.30
- ✓ \$2. 30
- ✓ \$ 2. 30
- ✓ 2. 30
- ✓ 2 .30
- ✓ 2 . 30
- ✓ \$ 2 . 30
- ✓ \$2 . 30

---

**Question Type:** Free Text  
**Date Added:** Wed 7th Oct 2020  
**Last Modified:** N/A  
**QID#:** 24,121,303

---

[Answers](#) | [Edit](#) | [Duplicate](#) | [Used In](#) | [Reorder](#)

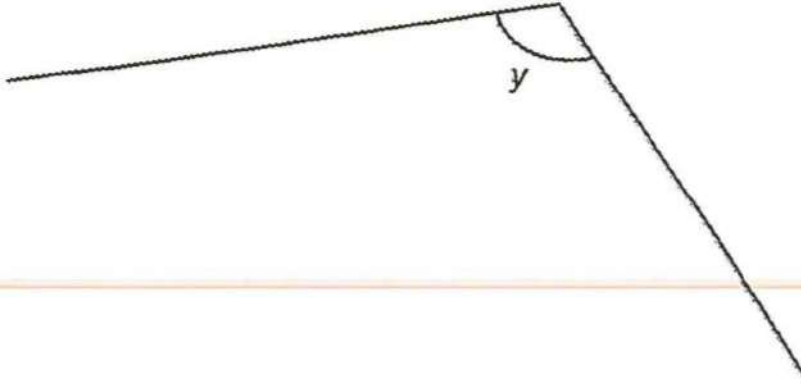
[Remove From Test](#)

## Question 23

Primary 4 Maths » Primary 4 Math (Term 2)

2 pts

Measure and write down the size of  $\angle y$ .



**Accepted answers:**

- ✓ 115
- ✓ 115degree
- ✓ 115degrees
- ✓ 115 degree
- ✓ 115 degrees

**Question Type:** Free Text  
**Date Added:** Wed 7th Oct 2020  
**Last Modified:** N/A  
**QID#:** 24,121,324

**Correctly answered feedback**

○  
115

**Incorrectly answered feedback**

115°

[Answers](#) | [Edit](#) | [Duplicate](#) | [Used In](#) | [Reorder](#)

[Remove From Test](#)

## Question 24

Primary 4 Maths » Primary 4 Math (Term 2)

0 pts

Using the given line AB below, draw  $\angle ABC = 67^\circ$ . Label point C.



This question is designed for extended answers that parent/ teacher will have to assign and guide child to attempt after the test has been completed.

Grading: This question type is not graded on this system and will not affect the final score as it was designed in such a way that it requires manual assistance.

**Question Type:** Essay  
**Date Added:** Wed 7th Oct 2020  
**Last Modified:** N/A  
**QID#:** 24,121,345

[Answers](#) | [Edit](#) | [Duplicate](#) | [Used In](#) | [Reorder](#)

[Remove From Test](#)

## Question 25

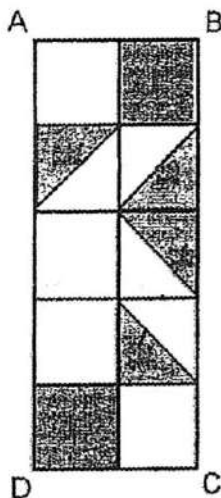
Primary 4 Maths » Primary 4 Math (Term 2)

2 pts

In the figure below, rectangle ABCD is made up of 10 unit squares.

What fraction of rectangle ABCD is shaded?

Give your answer in its simplest form.



Accepted answers:

✓ 2/5

2 / 5



**Question Type:** Free Text  
**Date Added:** Wed 7th Oct 2020  
**Last Modified:** N/A  
**QID#:** 24,121,402

[Answers](#) | [Edit](#) | [Duplicate](#) | [Used In](#) | [Reorder](#)

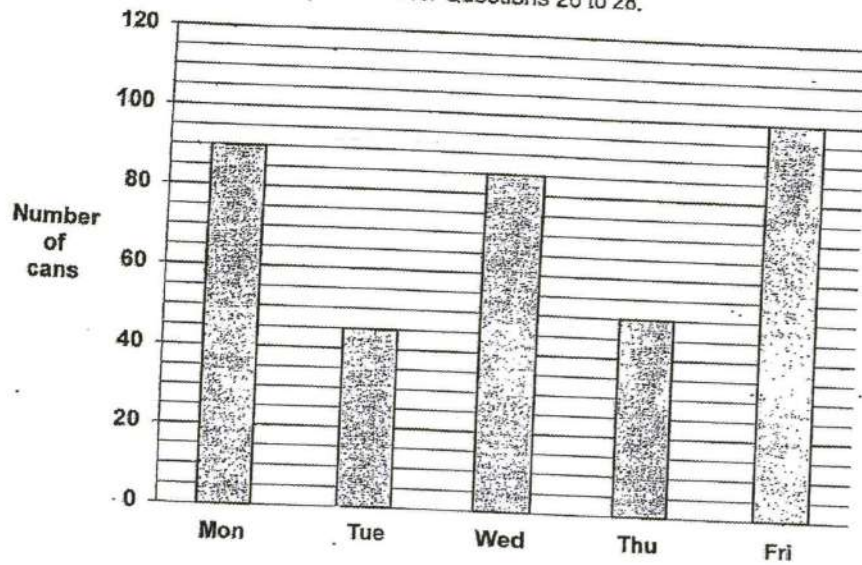
[Remove From Test](#)

## Question 26

Primary 4 Maths » Primary 4 Math (Term 2)

2 pts

The bar graph below shows the number of cans a class collected for recycling from Monday to Friday. Use the graph to answer Questions 26 to 28.



On which day was the number of cans collected half of the number of cans collected on Monday?

**Accepted answers:**

Tuesday

**Question Type:** Free Text  
**Date Added:** Wed 7th Oct 2020  
**Last Modified:** N/A  
**QID#:** 24,121,422

[Answers](#) | [Edit](#) | [Duplicate](#) | [Used In](#) | [Reorder](#)

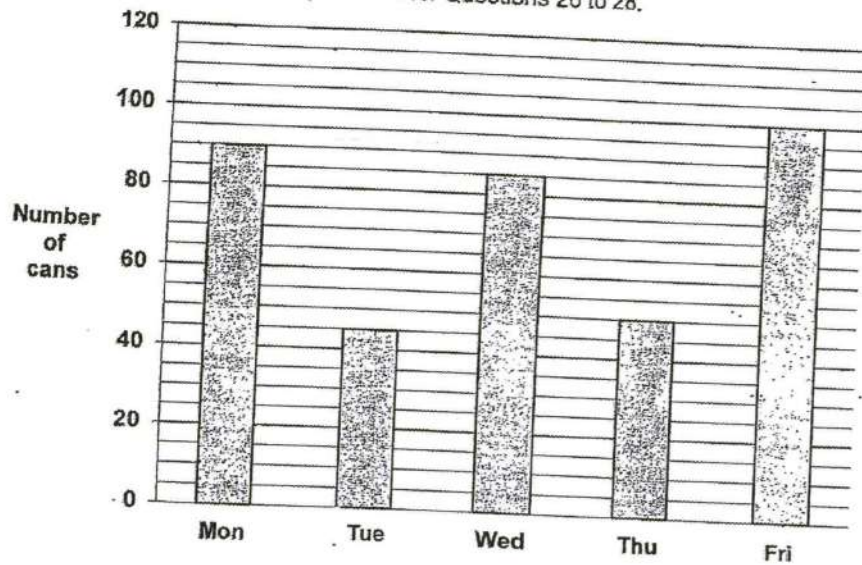
[Remove From Test](#)

## Question 27

Primary 4 Maths » Primary 4 Math (Term 2)

2 pts

The bar graph below shows the number of cans a class collected for recycling from Monday to Friday. Use the graph to answer Questions 26 to 28.



Find the difference between the number of cans collected on Wednesday and Thursday.

Accepted answers:

✓ 35

Question Type: Free Text  
 Date Added: Wed 7th Oct 2020  
 Last Modified: N/A  
 QID#: 24,121,434

[Answers](#) | [Edit](#) | [Duplicate](#) | [Used In](#) | [Reorder](#)

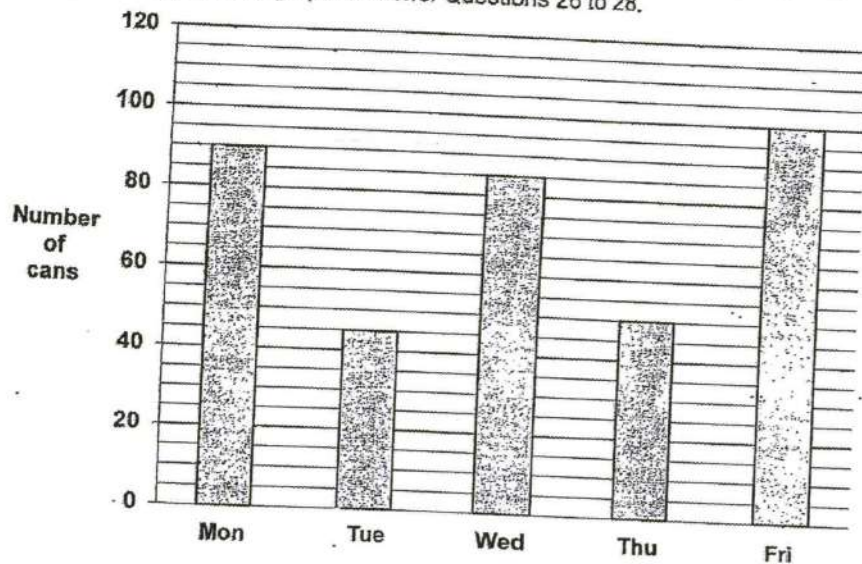
[Remove From Test](#)

## Question 28

Primary 4 Maths » Primary 4 Math (Term 2)

2 pts

The bar graph below shows the number of cans a class collected for recycling from Monday to Friday. Use the graph to answer Questions 26 to 28.



The class can raise 5 cents for each can collected. How much money was raised on the day with the



most number of cans collected?

Answer: \$\_\_\_\_\_

**Accepted answers:**

- ✓ 5.00
- ✓ 5. 00
- ✓ 5 .00
- ✓ 5 . 00
- ✓ \$5
- ✓ 5
- ✓ \$ 5
- ✓ \$5.00
- ✓ \$5 . 00
- ✓ \$5 .00
- ✓ \$5. 00

**Question Type:** Free Text  
**Date Added:** Wed 7th Oct 2020  
**Last Modified:** N/A  
**QID#:** 24,121,468

[Answers](#) | [Edit](#) | [Duplicate](#) | [Used In](#) | [Reorder](#)

[Remove From Test](#)

## Question 29

Primary 4 Maths » Primary 4 Math (Term 2)

2 pts

There were 80 marbles in a box. Mike took  $\frac{3}{8}$  of the marbles.  
 How many marbles were left in the box?

**Accepted answers:**

- ✓ 50
- ✓ 50 marbles

**Question Type:** Free Text  
**Date Added:** Wed 7th Oct 2020  
**Last Modified:** N/A  
**QID#:** 24,121,473

[Answers](#) | [Edit](#) | [Duplicate](#) | [Used In](#) | [Reorder](#)

[Remove From Test](#)

## Question 30

Primary 4 Maths » Primary 4 Math (Term 2)

2 pts

Jane has  $\frac{2}{3}$  m of ribbon. Siti's ribbon is  $\frac{5}{12}$  m shorter than Jane's ribbon.  
 Find the length of Siti's ribbon. Give your answer in the simplest form.

## Accepted answers:

- ✓ 1/4 m
- ✓ 1 / 4 m
- ✓ 1/4m
- ✓ 1 / 4m

Question Type: Free Text  
 Date Added: Wed 7th Oct 2020  
 Last Modified: N/A  
 QID#: 24,121,493

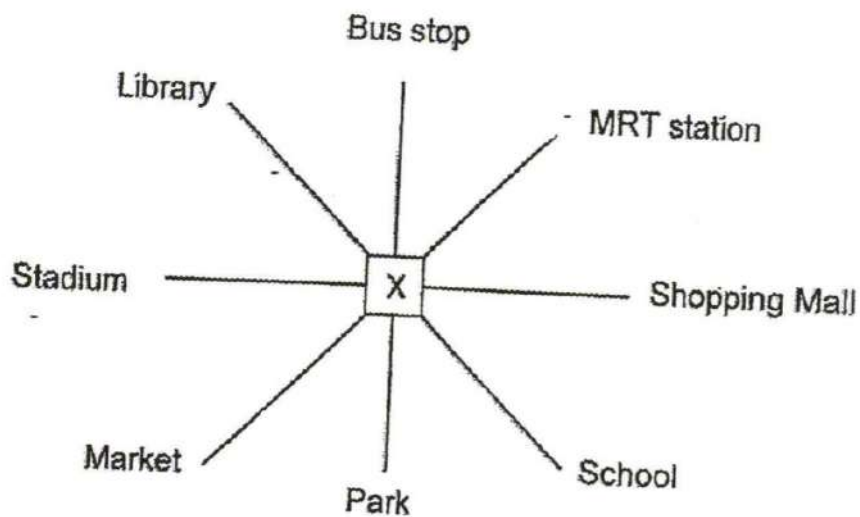
[Answers](#) | 
 [Edit](#) | 
 [Duplicate](#) | 
 [Used In](#) | 
 [Reorder](#)

[Remove From Test](#)

## Question 31

Primary 4 Maths » Primary 4 Math (Term 2)

2 pts



Chris was standing at point X.

He made a  $\frac{1}{4}$  - turn clockwise and ended up facing the market.

Where was he facing at first?

## Accepted answers:

- ✓ School

Question Type: Free Text  
 Date Added: Wed 7th Oct 2020  
 Last Modified: N/A  
 QID#: 24,121,525

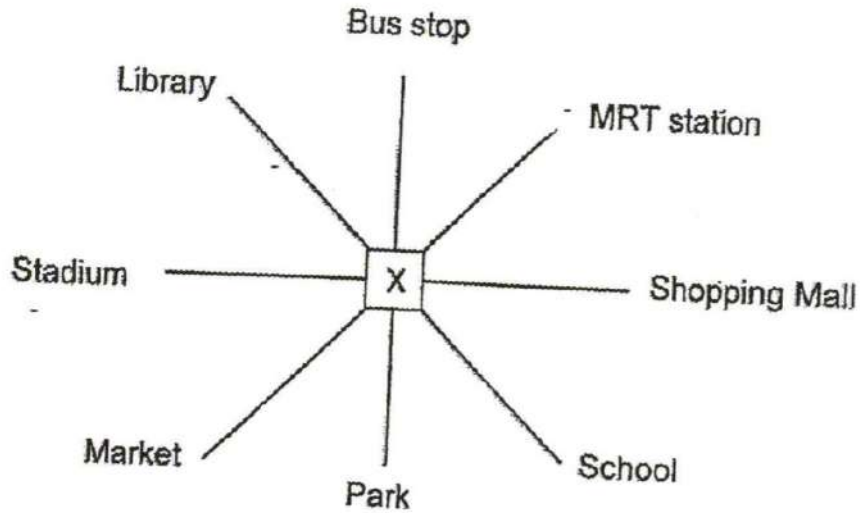
[Answers](#) | 
 [Edit](#) | 
 [Duplicate](#) | 
 [Used In](#) | 
 [Reorder](#)

[Remove From Test](#)

## Question 32

Primary 4 Maths » Primary 4 Math (Term 2)

2 pts



Kelly was standing at point X, facing the MRT station.  
She turned anti-clockwise to face the stadium.  
What angle had she turned?

## Accepted answers:

- ✓ 135 degrees
- ✓ 135degrees
- ✓ 135 degree
- ✓ 135
- ✓ 135Degree

**Question Type:** Free Text  
**Date Added:** Wed 7th Oct 2020  
**Last Modified:** N/A  
**QID#:** 24,121,553

## Correctly answered feedback

135°

## Incorrectly answered feedback

135°

[Answers](#) | 
 [Edit](#) | 
 [Duplicate](#) | 
 [Used In](#) | 
 [Reorder](#)

[Remove From Test](#)

## Question 33

Primary 4 Maths » Primary 4 Math (Term 2)

2 pts

The clock below shows the minute hand pointing at 12.

Use this clock to complete the table.



Time		Turn made by the hour hand	Size of the angle made by the hour hand
From	To		
9 a.m.	6 p.m.	(b) _____ turn	270 °

Accepted answers:

- ✓ 3/4
- ✓ 3 / 4
- ✓ 3/4 turn
- ✓ 3 / 4 turn

Question Type: Free Text  
 Date Added: Wed 7th Oct 2020  
 Last Modified: N/A  
 QID#: 24,121,565

[Answers](#) | [Edit](#) | [Duplicate](#) | [Used In](#) | [Reorder](#)

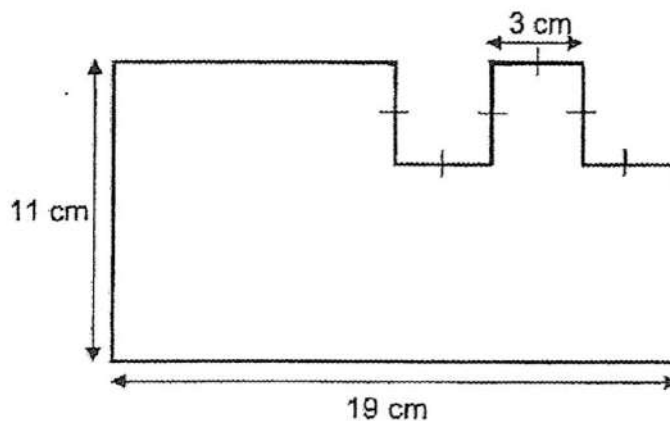
[Remove From Test](#)

## Question 34

Primary 4 Maths » Primary 4 Math (Term 2)

2 pts

In the figure below, all lines meet at right angles.



Find the perimeter of the figure.

Answer: \_\_\_\_ cm

Accepted answers:

66

- ✓
- ✓ 66 cm
- ✓ 66cm

**Question Type:** Free Text  
**Date Added:** Wed 7th Oct 2020  
**Last Modified:** N/A  
**QID#:** 24,121,580

[Answers](#) | 
 [Edit](#) | 
 [Duplicate](#) | 
 [Used In](#) | 
 [Reorder](#)

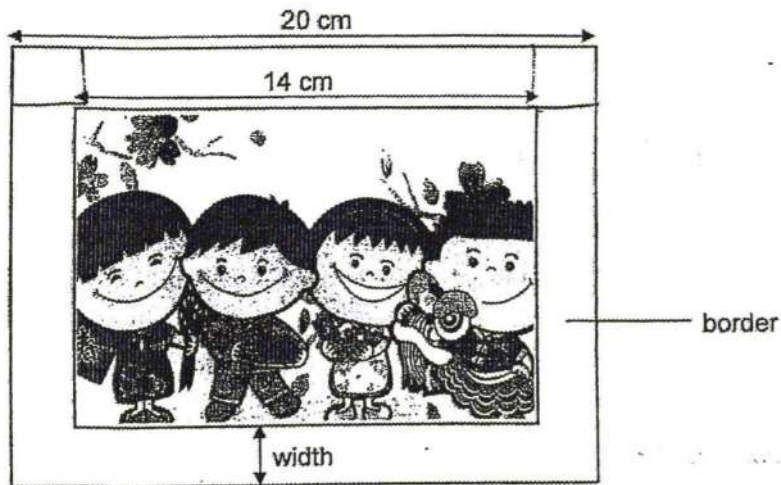
[Remove From Test](#)

## Question 35

Primary 4 Maths » Primary 4 Math (Term 2)

2 pts

The figure below shows a picture pasted on a rectangular cardboard with a border of equal width around it.



Find the width of the border.

Answer: \_\_\_\_ cm

**Accepted answers:**

- ✓ 3
- ✓ 3cm
- ✓ 3 cm

**Question Type:** Free Text  
**Date Added:** Wed 7th Oct 2020  
**Last Modified:** N/A  
**QID#:** 24,121,589

[Answers](#) | 
 [Edit](#) | 
 [Duplicate](#) | 
 [Used In](#) | 
 [Reorder](#)

[Remove From Test](#)

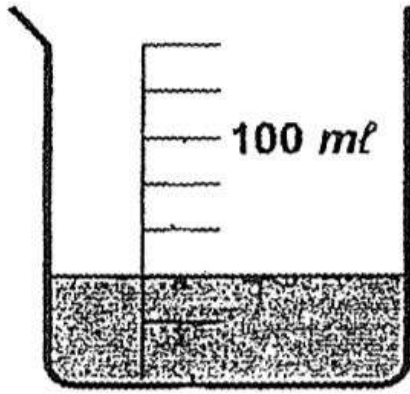
## Question 36

Primary 4 Maths » Primary 4 Math (Term 2)

3 pts

Show your working clearly and write your answers in the space provided.

A beaker contains some water at first. Raju pours another 30 ml of water into the beaker. What is the total amount of water in the beaker now?



Beaker

Accepted answers:

- ✓ 70 ml
- ✓ 70
- ✓ 70ml

**Question Type:** Free Text  
**Date Added:** Thu 8th Oct 2020  
**Last Modified:** N/A  
**QID#:** 24,143,566

**Correctly answered feedback**

$100 / 5 = 20$   
 $20 \times 2 = 40$   
 $40 + 30 = 70 \text{ ml}$

**Incorrectly answered feedback**

$100 / 5 = 20$   
 $20 \times 2 = 40$   
 $40 + 30 = 70 \text{ ml}$

[Answers](#) | [Edit](#) | [Duplicate](#) | [Used In](#) | [Reorder](#)

[Remove From Test](#)

## Question 37

Primary 4 Maths » Primary 4 Math (Term 2)

3 pts

Mrs Wee bought 302 stickers. She kept 15 stickers for her daughter and gave the rest to all her students. Each student received 7 stickers.  
 How many students did Mrs Wee have?

Accepted answers:

- ✓ 41
- ✓ 41 students

**Question Type:** Free Text  
**Date Added:** Thu 8th Oct 2020  
**Last Modified:** N/A  
**QID#:** 24,143,586

**Correctly answered feedback**

$302 - 15 = 287$   
 $287 / 7 = 41$  students

**Incorrectly answered feedback**

$302 - 15 = 287$   
 $287 / 7 = 41$  students

[Answers](#) | [Edit](#) | [Duplicate](#) | [Used In](#) | [Reorder](#)

[Remove From Test](#)

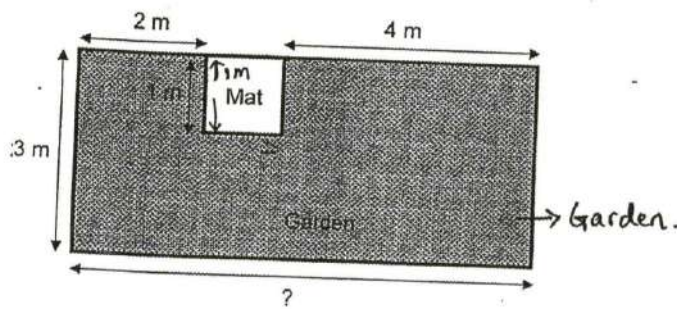
**Question 38**

Primary 4 Maths » Primary 4 Math (Term 2)

4 pts

A square mat of length 1 m is placed in a rectangular garden as shown below.

- (a) Find the length of the garden.  
 (b) Find the area of the garden **not** covered by the mat.



Answers: a) \_\_\_\_\_ , b) \_\_\_\_\_

**Accepted answers:**

- ✓ 7m , 20m square
- ✓ 7m,20m square
- ✓ 7 m, 20m square
- ✓ 7 m , 20 m square
- ✓ 7 m, 20 m square
- ✓ 7 m,20 m Square

**Question Type:** Free Text  
**Date Added:** Thu 8th Oct 2020  
**Last Modified:** N/A  
**QID#:** 24,143,626

**Correctly answered feedback**

a)  $2 + 4 + 1 = 7\text{m}$   
 b)  $7 \times 3 = 21$   
 $1 \times 1 = 1$   
 $21 - 1 = 20\text{m}^2$

**Incorrectly answered feedback**

- a)  $2 + 4 + 1 = 7\text{m}$   
 b)  $7 \times 3 = 21$   
 $1 \times 1 = 1$   
 $21 - 1 = 20\text{m}^2$

[Answers](#) | [Edit](#) | [Duplicate](#) | [Used In](#) | [Reorder](#)

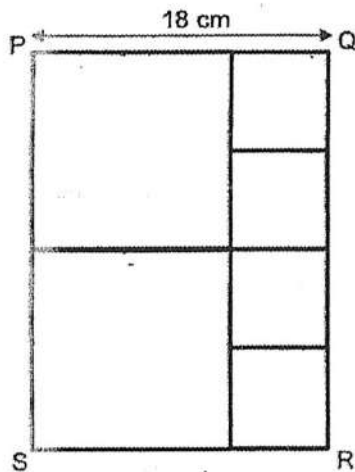
[Remove From Test](#)

**Question 39**

Primary 4 Maths » Primary 4 Math (Term 2)

4 pts

Rectangle PQRS is made up of 4 small identical squares and 2 large identical squares. PQ = 18 cm. Find area of rectangle PQRS.

**Accepted answers:**

- ✓ 432 cm square  
 ✓ 432cm square

**Question Type:** Free Text  
**Date Added:** Thu 8th Oct 2020  
**Last Modified:** N/A  
**QID#:** 24,143,639

**Correctly answered feedback**

- $18 \times 2 = 36$   
 $18 / 3 = 6$   
 $6 \times 4 = 24$   
 $18 \times 24 = 432 \text{ cm}^2$

**Incorrectly answered feedback**

- $18 \times 2 = 36$   
 $18 / 3 = 6$   
 $6 \times 4 = 24$   
 $18 \times 24 = 432 \text{ cm}^2$

[Answers](#) | [Edit](#) | [Duplicate](#) | [Used In](#) | [Reorder](#)

[Remove From Test](#)

**Question 40**

Primary 4 Maths » Primary 4 Math (Term 2)

4 pts



Mary had \$30 of pocket money. She spent  $\frac{1}{3}$  of her money on food, \$8 on a notebook and saved the rest of the money.

- (a) How much money did she spend on food?
- (b) What fraction of her pocket money did she save?  
Give your answer in the simplest form.

**Accepted answers:**

- ✓ 10, 2/5
- ✓ 10 2/5
- ✓ 10,2/5
- ✓ 10 , 2/5
- ✓ \$10 2/5
- ✓ \$10,2/5
- ✓ \$10, 2/5
- ✓ \$10 , 2/5
- ✓ \$ 10 2/5
- ✓ \$ 10, 2/5
- ✓ \$ 10,2/5
- ✓ \$ 10 , 2/5

---

**Question Type:** Free Text  
**Date Added:** Thu 8th Oct 2020  
**Last Modified:** N/A  
**QID#:** 24,143,668

**Correctly answered feedback**

If  $\frac{1}{3}$  = Food, and  $\frac{3}{3}$  = \$30,

$$\text{\$30} \div 3 = \underline{\text{\$10}}$$

$$\text{\$30} - \text{\$10} - \text{\$8} = \text{\$12}$$

$$\frac{12}{30} = \frac{4}{10}$$

$$= \frac{2}{5}$$

Answer:  $\frac{2}{5}$

*Incorrectly answered feedback*

If  $\frac{1}{3}$  = Food, and  $\frac{3}{3}$  = \$30,

$$\text{\$30} \div 3 = \underline{\text{\$10}}$$

$$\text{\$30} - \text{\$10} - \text{\$8} = \text{\$12}$$

$$\frac{12}{30} = \frac{4}{10}$$

$$= \frac{2}{5}$$

Answer:  $\frac{2}{5}$

[Answers](#) | [Edit](#) | [Duplicate](#) | [Used In](#) | [Reorder](#)

[Remove From Test](#)

## Question 41

Primary 4 Maths » Primary 4 Math (Term 2)

4 pts

Mrs Lim bought some pens.  $\frac{4}{9}$  of the pens were blue. There were 22 green pens and 18 red pens.

- (a) What fraction of the pens were **not** blue?  
 (b) How many pens did Mrs Lim buy altogether?

Answer: a) \_\_\_\_\_ , b) \_\_\_\_\_

**Accepted answers:**

- ✓ 5/9 72 pens
- ✓ 5/9,72
- ✓ 5/9 72
- ✓ 5/9,72 pens
- ✓ 5/9, 72
- ✓ 5/9, 72 pens
- ✓ 5/9 , 72
- ✓ 5/9 , 72 pens

**Question Type:** Free Text  
**Date Added:** Thu 8th Oct 2020  
**Last Modified:** N/A  
**QID#:** 24,143,701

**Correctly answered feedback**

$$\frac{9}{9} - \frac{4}{9} = \frac{5}{9}$$

**Answer:**  $\frac{5}{9}$

$$22 + 18 = 40$$

$$40 \div 5 = 8$$

$$8 \times 9 = \underline{72}$$

**Incorrectly answered feedback**

$$\frac{9}{9} - \frac{4}{9} = \frac{5}{9}$$

**Answer:**  $\frac{5}{9}$

$$22 + 18 = 40$$

$$40 \div 5 = 8$$

$$8 \times 9 = \underline{72}$$

[Answers](#) | [Edit](#) | [Duplicate](#) | [Used In](#) | [Reorder](#)

[Remove From Test](#)

## Question 42

Primary 4 Maths » Primary 4 Math (Term 2)

1 pt

Karen and Jimmy had a total of 1624 stickers at first. After Jimmy bought another 56 stickers, Karen has 7 times as many stickers as Jimmy.

a) How many stickers do they have altogether in the end?

**Accepted answers:**

- ✓ 1680 stickers
- ✓ 1680

**Question Type:** Free Text  
**Date Added:** Thu 8th Oct 2020  
**Last Modified:** N/A  
**QID#:** 24,144,032

### Correctly answered feedback

1624 + 56 = 1680

### Incorrectly answered feedback

1624 + 56 = 1680

[Answers](#) | [Edit](#) | [Duplicate](#) | [Used In](#) | [Reorder](#)

[Remove From Test](#)

## Question 43

Primary 4 Maths » Primary 4 Math (Term 2)

3 pts

Karen and Jimmy had a total of 1624 stickers at first. After Jimmy bought another 56 stickers, Karen has 7 times as many stickers as Jimmy.

b) How many stickers did Karen have at first?

**Accepted answers:**

1470



✓ 1470 stickers

**Question Type:** Free Text  
**Date Added:** Thu 8th Oct 2020  
**Last Modified:** N/A  
**QID#:** 24,144,049

**Correctly answered feedback**

1680 / 8 = 210  
 210 x 7 = 1470

**Incorrectly answered feedback**

1680 / 8 = 210  
 210 x 7 = 1470

[Answers](#) | [Edit](#) | [Duplicate](#) | [Used In](#) | [Reorder](#)

[Remove From Test](#)**Question 44**

Primary 4 Maths » Primary 4 Math (Term 2)

1 pt

Geraldine baked some muffins and packed them equally into 18 boxes. Each box contained 10 muffins. She used 125g of flour for every 6 muffins.

a) How many muffins did Geraldine bake altogether?

**Accepted answers:**

- ✓ 180
- ✓ 180 muffins

**Question Type:** Free Text  
**Date Added:** Thu 8th Oct 2020  
**Last Modified:** N/A  
**QID#:** 24,144,086

**Correctly answered feedback**

10 x 18 = 180

**Incorrectly answered feedback**

10 x 18 = 180

[Answers](#) | [Edit](#) | [Duplicate](#) | [Used In](#) | [Reorder](#)

[Remove From Test](#)**Question 45**

Primary 4 Maths » Primary 4 Math (Term 2)

3 pts

Geraldine baked some muffins and packed them equally into 18 boxes. Each box contained 10 muffins. She used 125g of flour for every 6 muffins.

b) How much flour did she use altogether? Give your answer in grams.

**Accepted answers:**

3750 grams



✓ 3750 g

✓ 3750g

---

**Question Type:** Free Text  
**Date Added:** Thu 8th Oct 2020  
**Last Modified:** N/A  
**QID#:** 24,144,107

**Correctly answered feedback**

$$180 / 6 = 30$$

$$30 \times 125 = 3750 \text{ grams}$$

**Incorrectly answered feedback**

$$180 / 6 = 30$$

$$30 \times 125 = 3750 \text{ grams}$$

---

[↗ Answers](#) | [✎ Edit](#) | [📄 Duplicate](#) | [📌 Used In](#) | [⬇️ Reorder](#)

[Remove From Test](#)